

The NEC PX803UL offers all the benefits of the most up to date laser light source and professional installation features.

Advanced Installation Capabilities

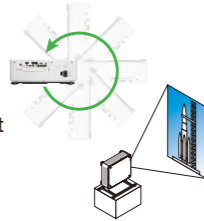
No More Lamp Replacements

Up to 20,000 hours* of maintenance-free operation is possible due to the laser light source.

* Actual hours may vary depending on usage conditions.

Tilt-free and Portrait Installation Support

The projector can be rotated freely (360°) to point up or down depending on the installation requirements and can be rotated (along with the screen if necessary) to a vertical alignment so that portrait content can be viewed without black bars on the sides when landscape mode is used.



Geometric Correction

Projection is not confined to a standard flat screen or wall. Geometric correction allows this model to project an image on spheres, cylinders, corner angles and many more non-standard surfaces.



Stacking Correction

This feature allows the projectors to boost an image's brightness up to 32,000 ANSI lm, which is ideal for larger-sized screens and environments with heavy ambient light. This feature also prevents the complete loss of an image, which can happen when using only one projector.

Easy Installation

A selection of wide zoom bayonet lenses, wide vertical and horizontal lens shift and control code emulation guarantee hassle-free installation and replacement of existing installation projectors.

Dustproof Design Supported by Closed-loop Cooling

The projector has a dustproof design to prevent the staining of optical components from the ingress of dust and the deterioration of brightness and image quality.

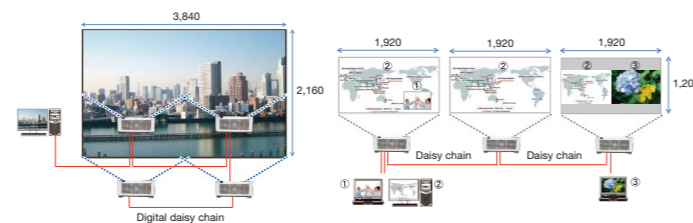
Built-in Edge Blending

This function seamlessly blends multiple projected images to display a single high-resolution image.



Multiscreen Function

Multi-display capabilities and tiling technologies are integrated into the PX803UL. This projector is also equipped with multiple digital input and HDMI output terminals that can connect multiple projectors in a digital daisy chain. These cutting-edge functions produce a beautiful high-resolution image, including a 4K/2K high-resolution display using 4 projectors and various picture in picture / picture by picture configurations.



	NP39ML	NP16FL	NP31ZL	NP17ZL	NP18ZL	NP19ZL	NP20ZL	NP21ZL
Option lens								
Lens type	Fixed ultra-short mirror lens	Fixed short throw lens	Zoom lens					
Zoom/Focus	Powered focus		Powered zoom and focus					
Zoom ratio	-	-	1.25	1.41	1.31	1.65	1.5	1.55
Throw Ratio	0.38 : 1	0.76 : 1	0.75 - 0.93 : 1	1.25 - 1.79 : 1	1.73 - 2.27 : 1	2.22 - 3.67 : 1	3.58 - 5.38 : 1	5.31 - 8.26 : 1
F	2.0	1.85	1.96 - 2.30	1.85 - 2.50	1.64 - 1.86	1.86 - 2.48	1.85 - 2.40	1.85 - 2.48
f (mm)	5.64	11.6	11.3 - 14.1	18.7 - 26.5	25.7 - 33.7	32.91 - 54.23	52.8 - 79.1	78.5 - 121.9
Screen size	100 - 350 inches		50 - 300 inches					
Light output *1	6,200 ANSI lm	7,500 ANSI lm	7,000 ANSI lm	7,300 ANSI lm	8,000 ANSI lm	7,400 ANSI lm	7,000 ANSI lm	7,000 ANSI lm
Lens Shift	Vertical	0	+0.5V / -0.3H					
	Horizontal	-	0	0.1H and other side 0.2H (refer to the image)				
Weight	2.7 kg	0.9 kg	1.3 kg	1.1 kg	0.8 kg	1.0 kg	1.0 kg	1.35 kg

*1: [PRESET] mode is [HIGH-BRIGHT]

Fantastic Cinema Quality Picture

Equipped with NEC's NV1301 4,096 × 2,160 Scaler Chip and the 3rd-generation Sweetvision™ Circuit

This 10-bit video processor represents an enormous leap in video processing, with true flagship performance in noise reduction, de-interlacing and scaling.



- 4K Ultra HD support (4,096 × 2,160 / 3,840 × 2,160)
- 12-bit gamma correction
- Advanced colour correction (6-axis saturation and hue adjustment / skin tone)
- Video and film cadence detection (multi cadence)
- Per-pixel motion adaptive de-interlacing
- Detail enhancement
- Super resolution correction (3rd-generation Sweetvision™)
- 3D random, mosquito and block noise reduction

Compatible with Diverse Signal Sources

Built-in HDBaseT Support

Simplify your installations with HDBaseT, which is optimized for video applications and supports uncompressed Full HD digital video, audio, Ethernet, and various control signals. With only a single cable (up to 100 m) to run, infrastructure and labour costs are reduced, installations are significantly easier, and there is no cable clutter to manage. With uncompressed HD video support, images have never been more stunning. What is more, control signals are contained in the same cable.



Wide Selection of Inputs and Outputs Such as HDMI and DisplayPort

The projector is equipped with a wide range of input / output terminals and compatible with a variety of image sources, which lets you connect HDMI, DisplayPort, computer (analog), 5-core BNC, and video sources.

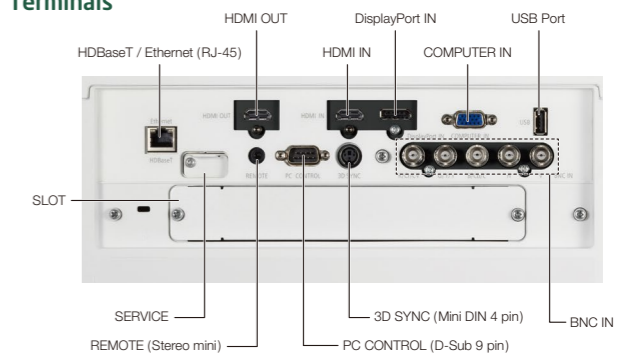


Expansion Slot

The slot technology allows for the integration of Open Pluggable Specification (OPS*) boards and other option slot products without the need to store additional external equipment. This offers the greater flexibility customers require.

*OPS is a standard established by Intel Corporation.

Terminals



Other Useful Functions and Features

- Lens shutter
- Program timer with real time clock / off timer
- Remote control ID
- Silent design for 35 dB in ECO mode
- Direct power on/off, auto power on/off
- PIN security / control panel lock / security bar / security slot

Network Control

NaViSet Administrator 2 / PC control / alert mail
CRESTRON ROOMVIEW™ / AMX BEACON
PJLink / HTTP server (projector adjustment)



PX803UL

8,000 ANSI lumens WUXGA 28.0 kg

Brightness using PX803UL with NP18ZL. Weight does not include lens.