

## Portable Projector

# V302H / V332W / V302W / V332X / V302X

Compact size in combination with light weight makes the V Series easy to place wherever you need it.

The excellent price performance ratio makes these projectors especially suitable for classrooms and mid-sized meeting rooms.



### Benefits

- **Great picture quality**  
Thanks to various resolutions and 10,000:1 contrast.
- **Innovative ECO functions**  
Reduce power consumption while ensuring optimal image performance.
- **Future proof connectivity**  
Numerous analog and digital connection terminals, including MHL support\* and network capability.  
\*V302H / V332W / V332X
- **3D ready**  
For playback of engaging 3D applications and movies.
- **Free download of multi-display management software**

### V302H

3,000 ANSI lumens Full-HD 29kg

### V332W

3,300 ANSI lumens WXGA 28kg

### V302W

3,000 ANSI lumens WXGA 27kg

### V332X

3,300 ANSI lumens XGA 28kg

### V302X

3,000 ANSI lumens XGA 27kg



## Specifications

		NP-V302H	NP-V332W	NP-V302W	NP-V332X	NP-V302X
Projection System		Single DLP® (0.65")		Single DLP® (0.65")		Single DLP® (0.55")
Resolution*1		1,920 × 1,080 (Full HD)		1,280 × 800 (WXGA)		1,024 × 768 (XGA)
Lens		Manual zoom (×1.2) / Manual focus, F= 2.55 - 2.85, f= 22.41 - 26.82 mm, Throw ratio = 1.50 - 1.80		Manual zoom (×1.1) / Manual focus, F= 2.50 - 2.67, f= 21.8 - 24.0 mm, Throw ratio = 1.55 - 1.70		Manual zoom (×1.1) / Manual focus, F= 2.41 - 2.55, f= 21.8 - 24.0 mm, Throw ratio = 1.95 - 2.15
Light source (Lamp)	ECO mode	170 W	170 W	160 W	170 W	160 W
	ECO mode off	218 W	218 W	195 W	218 W	195 W
Lamp life*2	ECO mode	6,000 H	6,000 H	6,000 H	6,000 H	6,000 H
	ECO mode off	3,500 H	3,500 H	4,500 H	3,500 H	4,500 H
Image size		40 to 300 inches		30 to 300 inches		
Light output*3 *4	ECO mode off	3,000 ANSI lumens	3,300 ANSI lumens	3,000 ANSI lumens	3,300 ANSI lumens	3,000 ANSI lumens
	ECO mode			Approx. 80 % of ECO off		
Contrast ratio (white/black)*4		10,000:1 with lamp control				
Maximum resolution		Up to 1080p (1,920 × 1,080)				
Synchronization range		15 kHz to 100 kHz (RGB: 24 kHz or over)				
Keystone correction	Horizontal	Manual : ± Max 30 degrees	Manual : ± Max 30 degrees	-	Manual : ± Max 30 degrees	-
	Vertical	Manual : ± Max 30 degrees	Manual : ± Max 30 degrees	-	Manual : ± Max 30 degrees	Manual : ± Max 40 degrees
Input terminals	Computer	Mini D-sub 15 pin × 1				
	Audio	Stereo mini jack × 1				
	Video	RCA × 1				
	Audio	(L/R) RCA × 1				
HDMI	HDMI × 2 (HDMI1 supports MHL function)	HDMI × 2 (HDMI1 supports MHL function)	HDMI × 2	HDMI × 2 (HDMI1 supports MHL function)	HDMI × 2	
	Output terminals	Mini D-sub 15 pin × 1				
Audio	Stereo mini jack × 1					
Wired LAN port	RJ-45 (10BASE-T / 100BASE-TX) × 1					
Control terminals	D-sub 9 pin × 1					
USB port	Service × 1					
Built-in speaker	8 W monaural					
Usage environment	Operational temperature	5 °C to 40 °C, up to 80 % humidity (no condensation)				
	Storage temperature	-10 °C to 50 °C, up to 80 % humidity (no condensation)				
Power requirements		100 to 240 V AC, 50 Hz / 60 Hz				
Input current		2.8 A to 1.2 A	2.8 A to 1.1 A	2.5 A to 1.0 A	2.7 A to 1.1 A	2.5 A to 1.0 A
Power consumption (100 to 130 V AC / 200 to 240 V AC)	ECO mode off	280 W / 266 W	277 W / 263 W	249 W / 237 W	275 W / 263 W	251 W / 237 W
	ECO mode	217 W / 207 W	215 W / 204 W	205 W / 194 W	213 W / 204 W	206 W / 198 W
	Standby (Network)	1.1 W / 1.3 W	1.0 W / 1.3 W	1.0 W / 1.3 W	1.0 W / 1.3 W	1.1 W / 1.3 W
	Standby (Normal)	0.22 W / 0.35 W	0.22 W / 0.35 W	0.23 W / 0.38 W	0.23 W / 0.35 W	0.22 W / 0.37 W
Net dimensions (W × H × D)		324 × 88 × 250 mm (not including protrusions)				
Weight		2.9 kg	2.8 kg	2.7 kg	2.8 kg	2.7 kg
Gross dimensions (W × H × D)		510 × 210 × 310 mm				
Gross weight		4.8 kg	4.6 kg	4.6 kg	4.6 kg	4.6 kg
Accessories		Power cord, remote control, batteries, signal cable, CD-ROM (User's manual), quick guide, important information, lens cap, security sticker				

\*1: Effective pixels are more than 99.99%.

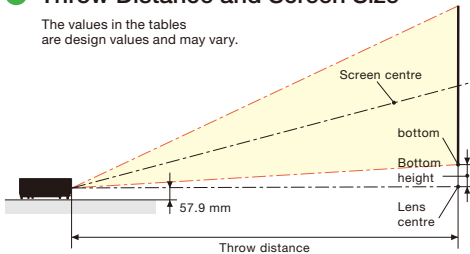
\*2: The average time span for the brightness of the lamp to be reduced by half; does not refer to the warranty period for the lamp.

\*3: This is the light output value (ANSI lumens) when the [PICTURE MODE] mode is set to [HIGH-BRIGHT]. If any other mode is selected as the [PICTURE MODE] mode, the light output value may drop slightly.

\*4: Compliant with ISO21118-2012

## Throw Distance and Screen Size

The values in the tables are design values and may vary.

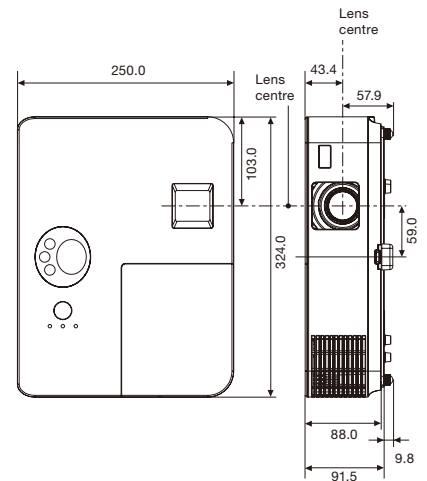


V302H (Aspect ratio 16:9)

Screen Size (W×H m)	Throw Distance (m)		Bottom Height (cm)
	Wide	Tele	
40" (0.89×0.50)	1.33	1.59	8.2
60" (1.33×0.75)	1.99	2.39	12.3
80" (1.77×1.00)	2.66	3.19	16.4
100" (2.21×1.25)	3.32	4.00	20.5
120" (2.66×1.49)	4.00	4.78	24.6
150" (3.32×1.87)	4.98	5.98	30.7
180" (3.99×2.24)	6.00	7.17	36.8
200" (4.43×2.49)	6.64	7.97	40.9
240" (5.31×2.99)	7.97	9.56	49.1
300" (6.64×3.74)	9.96	11.96	61.4

## Cabinet Dimensions

Unit: mm



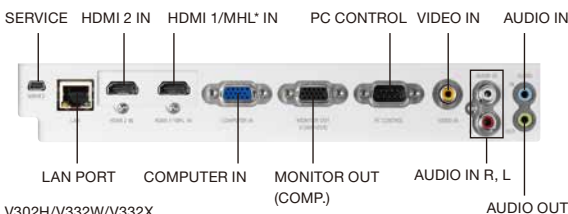
V332W / V302W (Aspect ratio 16:10)

Screen Size (W×H m)	Throw Distance (m)		Bottom Height (cm)
	Wide	Tele	
30" (0.65×0.40)	1.00	1.10	5.1
40" (0.86×0.54)	1.34	1.47	6.8
60" (1.29×0.81)	2.00	2.20	10.2
80" (1.72×1.08)	2.67	2.93	13.6
100" (2.15×1.35)	3.34	3.66	17.1
120" (2.59×1.62)	4.01	4.39	20.5
150" (3.23×2.02)	5.01	5.49	25.6
180" (3.88×2.42)	6.01	6.59	30.7
200" (4.31×2.69)	6.68	7.32	34.1
240" (5.17×3.23)	8.01	8.79	40.9
300" (6.46×4.04)	10.02	10.99	51.2

V332X / V302X (Aspect ratio 4:3)

Screen Size (W×H m)	Throw Distance (m)		Bottom Height (cm)
	Wide	Tele	
30" (0.61×0.46)	1.19	1.31	6.9
40" (0.81×0.61)	1.59	1.75	9.1
60" (1.22×0.91)	2.38	2.62	13.7
80" (1.63×1.22)	3.17	3.50	18.3
100" (2.03×1.52)	3.96	4.37	22.8
120" (2.44×1.83)	4.75	5.24	27.4
150" (3.05×2.29)	5.94	6.55	34.3
180" (3.66×2.74)	7.13	7.86	41.1
200" (4.06×3.05)	7.92	8.74	45.7
240" (4.88×3.66)	9.51	10.49	54.8
300" (6.10×4.57)	11.89	13.11	68.5

## Terminals



\* MHL: V302H/V332W/V332X

## Accessory

### Included accessories

#### Remote control



### Options

#### Replacement lamp



NP35LP  
(V302H)  
(V332W)  
(V332X)

NP36LP  
(V302W)  
(V302X)

#### 3D goggles



NP02GL

NeViSet is a trademark or registered trademark of NEC Display Solutions, Ltd. in Japan, the United States and other countries. DLP and the DLP logo are registered trademarks or trademarks of Texas Instruments.

The terms HDMI and HDMI High-Definition Multimedia Interface, and the HDMI Logo are trademarks or registered trademarks of HDMI Licensing LLC in the United States and other countries.

MHL and the MHL logo are trademarks, registered trademarks or service marks of MHL, LLC in the United States and/or other countries.

Other hardware and software names are trademarks or registered trademarks of the respective manufacturers.

All rights reserved. All specifications are subject to change without notice. July 2015