

Specifications

Model number	NP-UM351W	NP-UM301W	NP-UM361X	NP-UM301X
Projector type	3 LCD type			
LCD Panel	0.59 inch LCD with MLA		0.63 inch LCD with MLA	
Resolution*1	1280 x 800 pixels		1024 x 768 pixels	
Lens	Manual Focus F= 1.80, f= 4.78 mm			
Light source (Lamp)	ECO mode	160 W	140 W	140 W
	Normal ECO mode	200 W	170 W	170 W
	ECO mode off	255 W	235 W	235 W
Lamp life*2	ECO mode	6,000 H	8,000 H	8,000 H
	Normal ECO mode	5,000 H	5,000 H	5,000 H
	ECO mode off	3,800 H	4,000 H	4,000 H
Filter life	Same as lamp life			
Image size	58 to 110 inches		61.5 to 116.6 inches	
Light output** 44	ECO mode off	3,500 ANSI lumens	3,000 ANSI lumens	3,600 ANSI lumens
	Normal ECO mode	Approx. 80% of ECO off	Approx. 75% of ECO off	Approx. 80% of ECO off
	ECO mode	Approx. 60% of ECO off		
Contrast ratio (white / black)*4	4,000:1 with Iris		6,000:1 with Iris	
Maximum resolution	Up to WUXGA (1920 x 1200) with Advanced AccuBlend			
Scan rate	15 kHz to 100 kHz (RGB: 24 kHz or over)			
	50 Hz to 120 Hz			
Keystone correction	Manual : ± Max 10 degrees			
	Manual : ± Max 10 degrees			
Input terminals	Computer	Mini D-sub 15 pin x 1		
	Audio	Stereo mini jack x 1		
	Video	RCA x 1		
	Audio	(L/R) RCA x 1		
	HDMI	HDMI x 2		
	Mic	Mini jack x 1		
Output terminals	Mini D-sub 15 pin x 1			
	Stereo mini jack x 1			
Wired LAN port	RJ-45 (10BASE-T / 100BASE-TX) x 1			
Wireless LAN port	Yes (USB type A)			
Control terminals	D-sub 9 pin x 1			
USB port (for USB display)	Type A x 1, (type B x 1)			
Built-in speaker	20 W monaural			
Usage environment	Operational temperature	5°C to 40°C, 20% to 80% humidity (no condensation) (ECO MODE) is set automatically to [ON] at 35°C to 40°C		
	Storage temperature	-10°C to 50°C, 20% to 80% humidity (no condensation)		
Power requirement	100 to 240 V AC, 50 Hz / 60 Hz			
Input current	3.8 A to 1.6 A	3.5 A to 1.5 A	3.8 A to 1.6 A	3.5 A to 1.5 A
Power consumption (100 to 130 V AC / 200 to 240 V AC)	ECO mode off	337 W / 324 W	297 W / 285 W	337 W / 324 W
	Normal ECO mode	265 W / 257 W	234 W / 227 W	265 W / 257 W
	ECO mode	221 W / 214 W	196 W / 190 W	221 W / 214 W
	Standby (Network)	2.1 W / 2.4 W		
Net dimensions (W x H x D)	378 x 160 x 428 mm			
	378 x 112 x 428 mm (not including protrusions)			
Weight	5.6 kg	5.5 kg	5.6 kg	5.5 kg
Gross dimensions (W x H x D)	591 x 259 x 491 mm			
Gross weight	8.6 kg	8.5 kg	8.6 kg	8.5 kg
Accessories	Power cord, remote control, batteries, cable cover, signal cable, CD-ROM (User's manual / Utility software), Quick setup guide, Important information, security sticker			

*1 : Effective pixels are more than 99.99%.
 *2 : The average time span for the brightness of the lamp to be reduced by half; does not refer to the warranty period for the lamp.
 *3 : This is the light output value (ANSI lumens) when the [PRESET] mode is set to [HIGH-BRIGHT]. If any other mode is selected as the [PRESET] mode, the light output value may drop slightly.
 *4 : Compliant with ISO21118-2005

Options

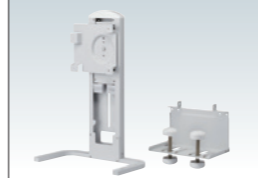
Replacement lamp
NP33LP (for UM351W / UM361X)
NP32LP (for UM301W / UM301X)



Wall mount kit **NP04WK**



Table projection unit **NP01TK**



Interactive unit **NP03Wi**



Stylus pen **NP02Pi**



Wireless LAN module **NP05LM1-5***



*Authentication countries depends on the last digit

Throw Distance and Screen Size

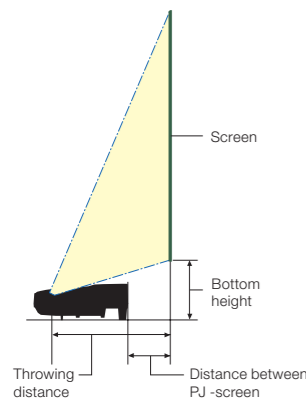
UM351W / UM301W (Aspect ratio 16:10)

Screen size (H x V m)	Throwing distance (cm)	Bottom height (cm)	Distance bet. PJ - screen (cm)
58" (1.25 x 0.78)	44.8	23.9	10.5
60" (1.29 x 0.81)	46.4	24.4	12.0
70" (1.51 x 0.94)	54.2	26.7	19.8
80" (1.72 x 1.08)	62.0	29.1	27.6
90" (1.94 x 1.21)	69.8	31.5	35.4
100" (2.15 x 1.35)	77.6	33.9	43.2
110" (2.37 x 1.48)	85.4	36.3	51.0

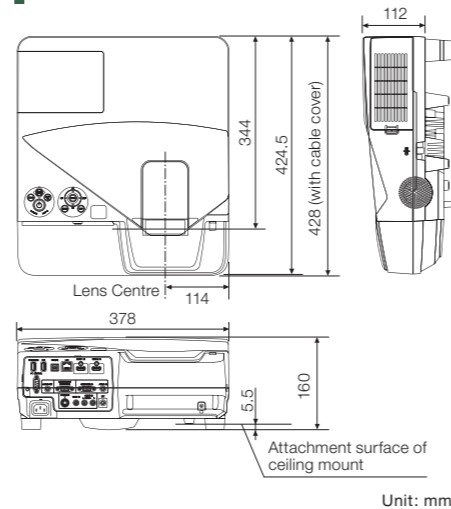
UM361X / UM301X (Aspect ratio 4:3)

Screen size (H x V m)	Throwing distance (cm)	Bottom height (cm)	Distance bet. PJ - screen (cm)
61.5" (1.25 x 0.94)	44.8	23.8	10.5
70" (1.42 x 1.07)	51.1	25.7	16.8
80" (1.63 x 1.22)	58.5	28.0	24.1
90" (1.83 x 1.37)	65.8	30.2	31.5
100" (2.03 x 1.52)	73.2	32.5	38.8
110" (2.24 x 1.68)	80.5	34.7	46.2
116.6" (2.37 x 1.78)	85.4	36.2	51.0

The values in the tables are design values and may vary.



Cabinet Dimensions



Unit: mm

- Do not stare into the lens in use.
- The projector can be unplugged during its cool down period after it is turned off. Parts of the projector will become heated during operation. Use caution when picking up the projector immediately after it has been operating.

NavSet is a trademark or registered trademark of NEC Display Solutions, Ltd. in Japan, the United States and other countries.
 The terms HDMI and HDMI High-Definition Multimedia Interface, and the HDMI Logo are trademarks or registered trademarks of HDMI Licensing LLC in the United States and other countries.
 MHL and the MHL logo are trademarks, registered trademarks or service marks of MHL, LLC in the United States and/or other countries.
 iOS is a trademark or registered trademark of Cisco in the United States and other countries and is used under license.
 Android is a trademark of Google Inc.
 CRESTRON and CRESTRON ROOMVIEW are trademarks or registered trademarks of Crestron Electronics, Inc.
 Trademark PJLink is a trademark applied for trademark right in the United States of America and other countries.
 All other trademarks are the property of their respective owners. The images in this brochure are samples. November 2015



Less shadow and glare give you more flexibility to engage with your audience.

UM351W / UM301W / UM361X / UM301X

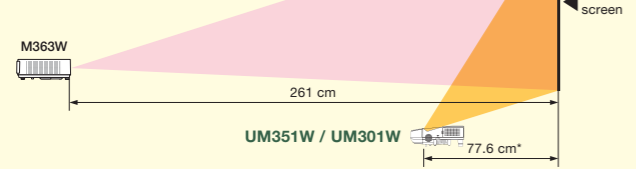
The UM Series allows you to enjoy great performance and flexibility with its range of advanced features without compromising on quality.

Ultra short Throw Projection that is Optimal for Classrooms and Meeting Areas

Thanks to the ultra short throw lens, the UM351W / UM301W can project a large screen of 100 inches at a distance of only 77.6 cm (the distance from screen side of projector to screen is 43.2 cm). Shadows do not easily form even when someone stands in front of the projector, making it suitable for classrooms, small meeting areas, shop windows, and a wide variety of other locations if installed on the wall or the ceiling.

Projection comparison with the M363W

*Throwing distance of UM351X / UM301X for a 100 inch screen is 73.2 cm.



A Light Output of 3,600 ANSI lumens*1, the Highest in its Category

Projects a sharp image even in bright rooms thanks to its light output of 3,600 ANSI lumens, the best performance in its category.

*1:When ECO mode off is selected in UM361X

20 W Speaker Helps Enable Effective Use of a Microphone

A built-in monaural speaker with powerful 20 W output provides excellent sound even in classrooms and conference rooms. This projector also comes with a microphone input, allowing your voice to be projected via the internal speaker.



Optional Interactive Solution

This interactive unit provides the projector with extensive drawing functionality and allows characters and drawings to be projected on the screen while making a presentation, which can then be saved to your computer. It is possible to mount this unit on the body of the projector, which means that it can be used not only when the projector is mounted on a wall, but also when it is placed on a table. It can also reduce shadow and/or glare on the image for audience.

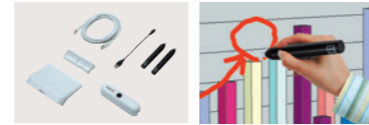
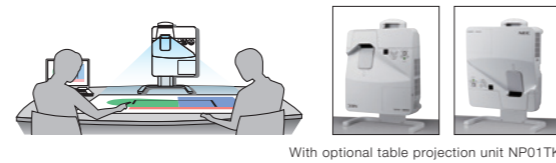


Table Projection

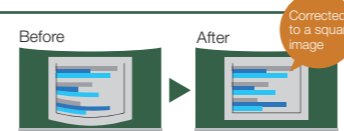
For unique applications, projecting images onto a table, floor or ceiling is possible.



With optional table projection unit NP01TK

Pincushion Correction Function

Pincushion correction is available for curved boards.



Accessory Cable Cover

The terminals are placed in the screen side of the projector and are protected and kept tidy with a cable cover.



Get Connected with a Wide Selection of Inputs and Outputs

USB Display Function

Using a commercially available USB cable (compatible with USB 2.0 specifications) to connect the computer with the projector allows you to send your computer screen image and sound to the projector without the need of traditional computer cables. (USB cable not supplied)

USB Viewer

This series projector can deliver a solution when you would prefer to leave your laptop computer behind for a presentation. Simply place your file onto a USB drive and plug it into the projector's USB port. This allows you to display images stored as JPEGs from optional USB storage.

Dual HDMI Inputs and MHL

Among the wide selection of inputs are dual HDMI inputs with HDCP for connecting to high-definition sources such as Blu-ray players, cable boxes, satellite receivers and personal computers. One of them supports MHL (Mobile High-definition Link), to project videos and photos on a connected smart phone or a tablet.

Variable Audio-out

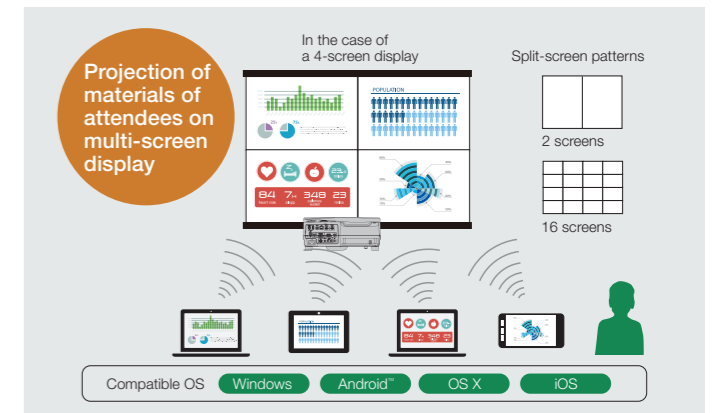
This function enables the remote control to be used to adjust the volume of self-powered external speakers that are connected to the projector.

Advanced Networking Capabilities

Multi-screen Projection Function*

The multi-screen projection function allows you to share screens from multiple devices on various split-screen displays. Display information from up to 16 PCs, tablet PCs, smart phones, and other network connected devices on a multi-screen display of up to 16 screens. Easily share screens and information regardless of device or operating system.

*Requires an optional wireless LAN module for wireless connection. PCs require the installation of the Image Express Utility Lite software on the included CD-ROM. Smart phones and tablets require the download and installation of our Wireless Image Utility software.



NaViSet Administrator 2

This software is an all-in-one remote support solution that runs from a central location and provides monitoring, asset management and control functionality for a majority of NEC display devices and Windows computers. It is ideal for multi-device installations over larger infrastructures.



Virtual Remote Tool

The utility software Virtual Remote Tool included on the supplied NEC Projector CD-ROM can display the Virtual Remote (or toolbar) on your computer screen. This allows you to turn the projector power on or off and select signals from a computer display cable (VGA), serial cable, or LAN connection.



Virtual Remote

Other Networking Capabilities

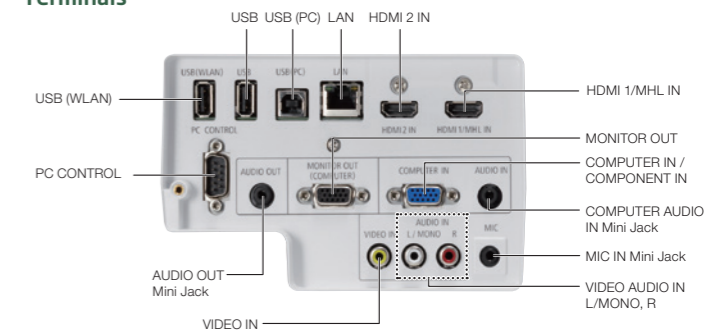
- Simple Access Point
- PC Control Utility 4.0 for Windows
- PC Control Utility 5.0 for Mac
- CRESTRON ROOMVIEW™ with emergency function
- AMX BEACON
- HTTP server
- PjLink

Other Useful Features and Functions

- Equipped with a high-performance filter to provide superior dust-proofing
- Auto power-on via the HDMI 1, HDMI 2 and COMPUTER input terminals when a signal is detected from a computer
- Sleep timer can be set to automatically turn off the projector at set countdown times
- Power management automatically turns off the projector when an incoming signal is not detected from any of the inputs
- No-signal guidance for easy cable connections
- Intuitive plug and play setup and operation
- PC-based geometric correction and 3D Reform™ function
- Includes a remote with the control ID registration function, which allows operation of multiple projectors with a single remote
- Wall colour correction for vivid images even without a screen
- DICOM simulation
- Security bar / Kensington lock / Control panel lock and password lock

- Low power consumption (0.4 W in 240 V AC stand-by mode) minimizes energy costs
- The carbon metre lets you check the amount of CO₂ you reduced by using ECO Mode

Terminals



UM351W

3,500 ANSI lumens WXGA 5.6 kg

UM301W

3,000 ANSI lumens WXGA 5.5 kg

UM361X

3,600 ANSI lumens XGA 5.6 kg

UM301X

3,000 ANSI lumens XGA 5.5 kg