

ViewSonic® | Education

# ViewBoard® IFP52 Series

INTERACTIVE FLAT PANEL DISPLAYS





# Interactive Learning. Redefined.



The ViewSonic® ViewBoard® IFP52 series of interactive flat panel displays feature digital whiteboard technologies for immersive learning in any classroom environment.

Featuring a high-accuracy touchscreen and intelligent palm recognition technology, these interactive displays deliver an intuitive digital whiteboard experience for everyone from the youngest of students to the most experienced teachers.

Plus, thanks to stunning 4K resolution, stereo sound and a beamforming microphone, these displays deliver dynamic audiovisuals for everyone in the classroom as well those learning remotely.



Ultra-responsive  
Touchscreen



Beamforming  
Microphone with  
Noise Cancellation



Front-facing  
Soundbar



myViewBoard™



myViewBoard™  
Manager



ViewBoard Cast™



USB-C with  
Power Delivery

# Engaging Audio/Visuals in Every Classroom

Thanks to a stunning Ultra HD touchscreen and a front-facing soundbar that delivers incredible audio to every corner of the classroom, **ViewBoard IFP52 displays deliver an immersive learning experience like no other.**

The high resolution touchscreen is intuitive and ultra-responsive, while palm recognition technology minimizes errant touch inputs from palms, wrists and sleeves so that users can write and annotate freely. What's more, an integrated beamforming microphone array enables teachers to be clearly heard by remote learners, and during recorded lessons.

## USB Type-C Support

Lessons start fast with USB Type-C connectivity.

- **Walk-in and plug-in:** Users can simply walk into a room, plug in their device, and immediately begin sharing info on the ViewBoard display.
- **Single-cable convenience:** In addition to fast data, audio, and video transfer, USB Type-C also provides quick 60W charging and touch pass-through over a single cable.



The life cycle of plants.

We will use green beans as an example.

Mature seed pods

Pod Fill

# Classroom Collaboration from Anywhere



 **myViewBoard™**

The myViewBoard™ Suite delivers a complete classroom solution that makes content creation easy and intuitive.

Teachers can quickly create lessons using familiar tools, allowing the presentation of content to focus on student needs. This full suite of tools, features, and functions includes secure cloud storage, digital annotation tools, multiple presentation options, video-assisted learning and so much more. The myViewBoard Suite is more than a digital whiteboard. It is an open, agnostic, secure platform that provides real solutions to shared problems.



## myViewBoard Classroom

Whether you are in the classroom, teaching from home, or are reaching your students via a combination of both, myViewBoard™ Classroom allows teachers to seamlessly switch between physical and virtual classrooms.



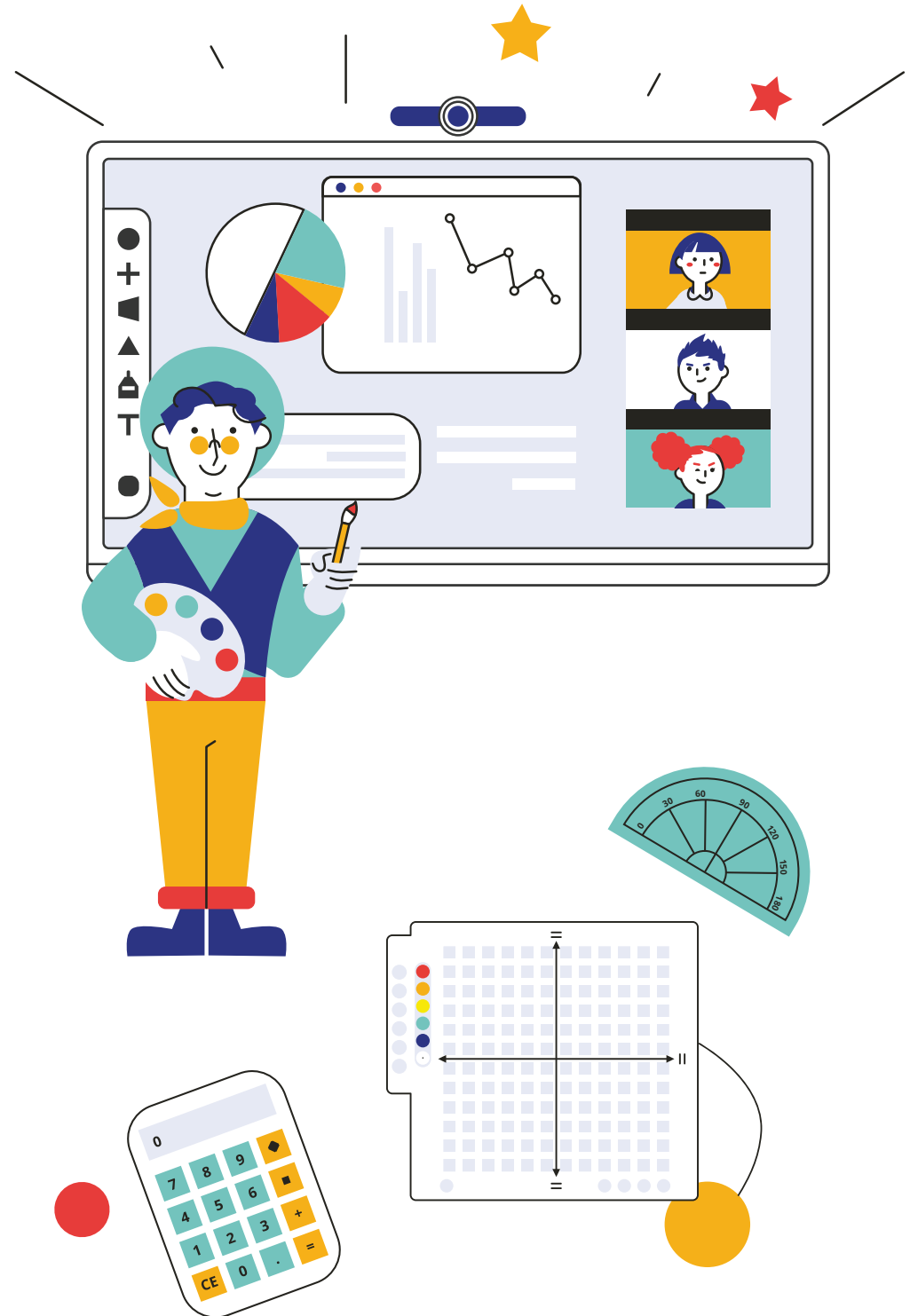
## myViewBoard Display

myViewBoard Display is a free screen-casting application that facilitates wireless collaboration in physical or virtual meeting spaces. It allows you to wirelessly mirror your desktop to supported Interactive Flat Panels (IFP) and Wireless Presentation Displays (WPD). myViewBoard Display comes pre-installed on select ViewBoard hardware, but can also be installed manually on any IFP or WPD that runs Android 6 or higher.



## ViewBoard Cast

Stream seamlessly from your mobile devices in 1080p with the ViewBoard Cast™ app. ViewBoard Cast enables you to stream from your phone onto a ViewBoard display over wireless or cable networks. Simultaneously annotate documents, multimedia and other files in real time with multiple users as you stream.



# Peace of Mind with Easy Device Management



With the myViewBoard™ Manager Advanced solution, IT administrators have full, 24/7 control of the devices they've deployed in different locations.

Featuring built-in enterprise-grade security with AES encryption, this cloud-based solution provides a secure device management platform to IT no matter where they are.

- **Easy Device Enrollment**

Quickly enroll devices with unique device PINs or QR code scanning. Manager also supports batch enrollment to expedite mass device setup.

- **Device Monitoring**

Monitor the status of devices such as On/Off, Last Connected, Local IP Address and more, directly from the administration (admin) portal. Admins can also retrieve information such as serial numbers, asset tags, WiFi SSID, etc. in real time.

- **Device Control**

Remotely control devices from the admin portal, including turning the screen on and off, switching inputs, locking and unlocking firmware, and more.

- **Broadcasts**

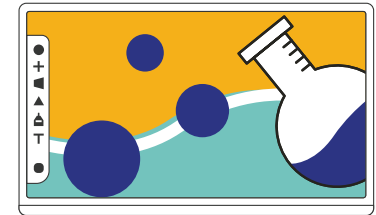
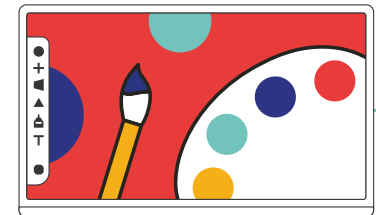
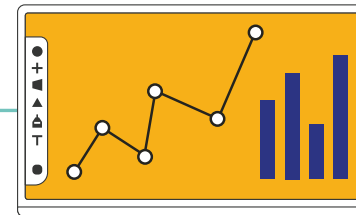
Instantly send messages to select devices from the admin console. A siren can also be enabled to provide visual and audible warnings for urgent messages.

- **App Management**

Remotely install or remove apps on enrolled devices. Admins can silently manage apps without the need for user intervention on the device.

- **Cloud-Based Access**

Remotely access and manage devices from anywhere, with no software installation needed.





# ViewBoard Accessories

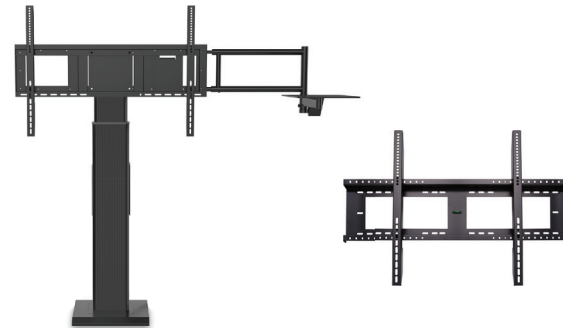
With a few simple add-ons, your ViewBoard display can do much, much more. **Optimize your ViewBoard display and enhance classroom collaboration with these accessories:**



## Mobile mounting options

*(VB-STND-001, VB-STND-002, VB-STND-003):*

Sturdy rolling carts with UL and ADA compliance for safety and accessibility. Select models include motorized lift and tilt features.



## Fixed mounting options

*(WMK-047-2, VB-STND-004):*

Easy-to-install fixed wall mounts and floor stands with UL and ADA compliance for safety and accessibility.



## Slot-in PCs (VPC Series):

Provides additional computing power, touch functionality, and storage.



## Wireless Internet Module (LB-WIFI-001):

Delivers faster Wi-Fi and support for Bluetooth 4.0.



## HD Webcam (VB-CAM-001):

1080p ultra-wide USB camera with built-in microphone.



## Chromebox (NMP760):

Delivers a familiar, easy-to-use Google interface for creating, saving, and sharing content.

		ViewBoard IFP52 Series		
DISPLAY	SIZE	65"	75"	86"
	RESOLUTION	4K UHD 3840 x 2160		
	CONTRAST	Static 1200:1; Dynamic 5000:1		
	BRIGHTNESS	350 Nits	400 Nits	
	FREQUENCY	60Hz		
	BACKLIGHT LIFE	50000 Hrs		
	GLASS HARDNESS	9H		
TOUCH	TECHNOLOGY	ViewSonic Ultra Fine Touch (IR)		
	TOUCH POINT	33		
	TIP DETECTION	8mm and 2mm		
	DETECTION SUPPORT	Palm and Object Recognition		
	WINDOWS INKING SUPPORT	Yes		
INPUT CONNECTIONS	HDMI	HDMI 2.0 x 3, VGA x 1, Audio-In x 1, Audio-Out x 1, SPDIF x 1, RJ45 x 1, RS232 x 1, USB 3.0 x 4, USB 2.0 x 1, USB-C x 1, USB-B (Touch) x 2		
	USB-C	60W Power Delivery, BYOM Support		
	OTHERS	SmartPort USB Technology		
SOC	OS	ViewBoard OS (Embedded Android 9.0)		
	CPU	ARM Quad Core A73 1.8GHz		
	RAM	4GB DDR4		
	STORAGE	32GB		
AUDIO	SPEAKER	15Wx2 + 15W Subwoofer Front-Facing Soundbar Design		
	MICROPHONE	Noise Cancelation Beamforming Mic Array		
PC MODULE		Optional Windows 10 Pro OPS Slot-in PC Module		
WIRELESS		LB-WIFI-001, 802.11AC, Bluetooth 4.0 or VB-WIFI-001, WIFI6, Bluetooth 4.0		
SOFTWARE	myViewBoard WHITEBOARD	Android (Built-In), Windows, Web, iOS (Coming Soon)		
	REAL-TIME COLLABORATION	myViewBoard Classroom		
	SCREEN SHARING	ViewBoard Cast, Client Support: Windows, MacOS, iOS, Android, Chrome, Supported Protocols: vCast, MiraCast, AirPlay, Chromecast, Features: vLAN Hopping, Multi-Screen, Touchback, Display Grouping, Remote Viewing myViewBoard Display: Remote Sharing Over-the-Internet		
	DEVICE MANAGEMENT	myViewBoard Device Manager: Broad Casting, SSID Push, Curated App Management, Remote Control, Scheduling, On-Demanding Update, Input Control		
DIMENSIONS (IN.)		59.4 x 37.6 x 4.7	67.7 x 42.1 x 4.7	77.4 x 47.4 x 4.7
WEIGHT (LBS)		96.8	124.2	156.5
VESA		600 x 400	800 x 400	800 x 600
OTHERS		Asset Tagging, Android Lockdown, Cast Lockdown, USB Cloning, System Setting Password Customization, Motorized Cart OSD		