

■ Specifications

Product specifications and appearance are subject to change without advance notice.

| | | | | |
|--------------------------------------|--------------------------------------|---|---|---|
| Model name | | FP-Z8000 | | |
| DLP chip | Size | 0.67 in, 16:10 aspect ratio | | |
| | Display method | 1 chip DLP | | |
| | Resolution | 2,304,000 pixel (1920 x 1200) | | |
| Lens | Type | Folded two-axial rotatable lens | | |
| | Shift | Electrical: Vertical $\pm 70\%$, Horizontal $\pm 35\%$ | | |
| | Zoom | Electrical: $\times 1.0$ - $\times 1.1$ | | |
| | Throw ratio(TR)* ¹ | 0.34 (Wide)-0.37 (Telephoto) | | |
| | Focal length | f=5.0mm (Wide)-5.5mm (Telephoto) | | |
| | F No. | F2.3 (Wide)-F2.39 (Telephoto) | | |
| Keystone correction range | | Vertical $\pm 5^\circ$ / Horizontal $\pm 5^\circ$ | | |
| Light source | | Laser diode | | |
| Brightness [ANSI lm* ²] | | 8,000lm | | |
| Light output half time* ³ | | Up to about 20,000 hours | | |
| Contrast ratio* ⁴ | | 12,000:1 | | |
| Projected image size | | 70-300 inches | | |
| Speaker | | 10W x 1 | | |
| Maximum display resolution(WxH) | | WUXGA 1920 x 1200 | | |
| Terminals | Video IN terminals | HDMI 1 IN | TypeA HDMI 2.0 (Compatible with HDCP 2.2, Accept 3840 x 2160 60P Input) | |
| | | DisplayPort IN | DisplayPort 20pin Display Port1.2 (Compatible HDCP 1.3, Accept 3840 x 2160 Input) | |
| | | SDI IN | BNC 3G/HD/SD SDI 対応 | |
| | | HDBaseT IN | RJ-45 for video/audio/connection control (Accept 3840 x 2160 Input) | |
| | Control IN/OUT terminals | LAN | RJ-45 for network connection (10BASE-T/100Base-TX) | |
| | | HDBaseT | RJ-45 for projector connection control | |
| | | RS-232C | D-Sub 9Pin for projector connection control | |
| | Audio IN/OUT terminals | AUDIO IN | 3.5mm stereo mini jack | |
| | | AUDIO OUT | 3.5mm stereo mini jack | |
| | Other | USB 1 | TypeA | for maintenance, DC 5V 1.5A(Max) |
| | Warping /Edge blending | HDMI 2 | TypeA | HDMI 1.4(Compatible with HDCP 1.4, Audio Input not supported) |
| USB 2 | | TypeA | Type A for Warping / Edge blending function | |
| Power supply | | AC 100-120V, AC 220-240V 50/60Hz | | |
| Power consumption | | 1020W, Normal:960W, Eco:620W | | |
| Power consumption (during standby) | | Approx.0.5W, Network standby Approx.3.0W | | |
| Dimensions | | 460mm (W) x 510mm (D) x 162.5mm (H) (excluding adjustable feet) | | |
| Weight | | Approx.18.4 kg (40.6 lb) | | |
| Noise level* ⁵ | | Normal:43dB, Eco:40dB | | |
| Operation environment | Operating temperature | 0-40°C (32-104°F) | | |
| | Operating humidity | 10-90% (without condensation) | | |
| | Storage temperature | -20 - 60°C (-4-140°F) | | |
| Accessories included | Power cord 3.0m (9.8ft) | | | |
| | Power cord lock | | | |
| | Lens cap | | | |
| | Remote control | | | |
| | Remote control battery (AAA type x2) | | | |
| | Basic manual | | | |

*1 The "throw ratio" is the throw distance divided by the screen width.

*2 The average value for this model at shipment, according to ANSI standards.

*3 The estimated time taken for brightness to drop by half. Varies with the operating environment and conditions of use.

*4 Assumes that dynamic contrast ratio is on.

*5 The average value for this model at shipment.

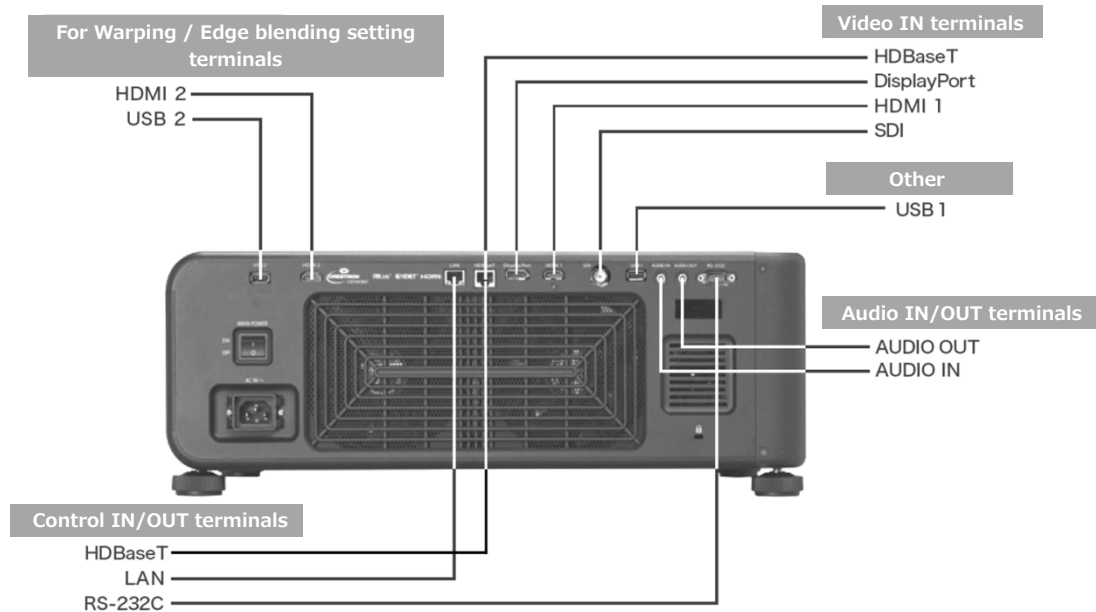
■ Remote control unit

| | |
|--------------------|---|
| Power supply | DC3V (AAA type x2) |
| Receiving angle | ±30° |
| Receiving distance | Approx.8.0 m (26ft) |
| Dimensions | 42 x 134.3 x 22.3mm (1.7 x 5.3 x 0.9in) |
| Weight | Approx.52g (0.11lb) (without battery) |

■ Software(freeware)

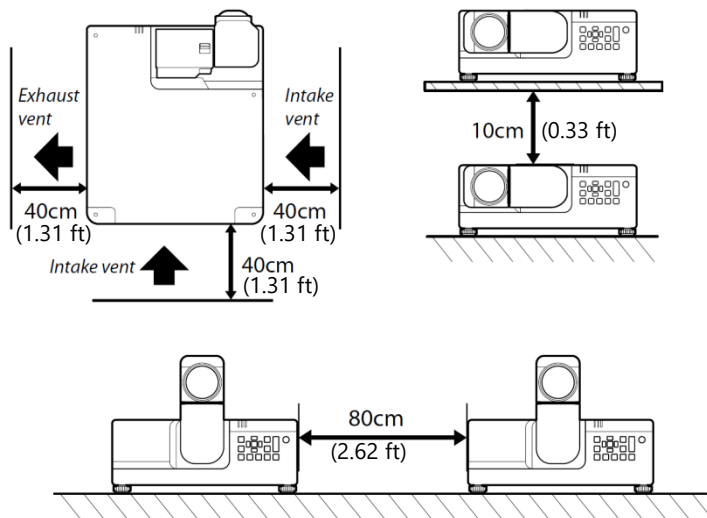
Warping and Blending Tool (Windows OS) : for setting Geometric correction/Edge blending functions

■ Terminals



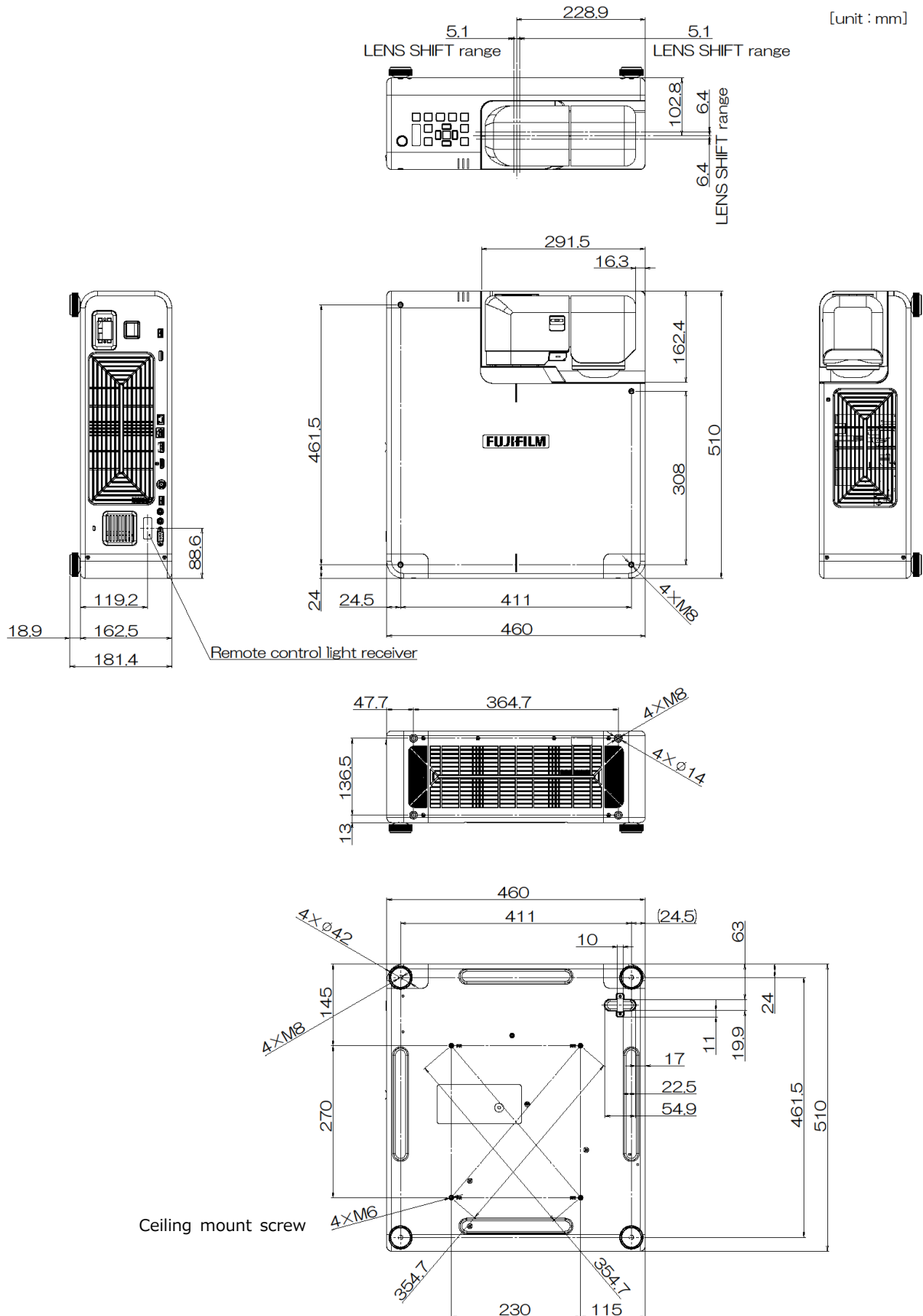
■ Notes on projector installation

- When installing the projector, choose a location where the vents will be a safe distance from walls or other obstructions. When installing units one above another, for example on shelves, leave a distance of no less than approximately 10 cm (0.33 ft) between the shelves and the wall.
- When installing two or more projectors side-by-side, leave a space of at least 80 cm (2.62 ft) between them. You will also need to ensure that the warm air from the exhaust vent does not enter any of the projectors' intake vents.
- Do not obstruct the vents. The build-up of heat inside the projector could cause fire.



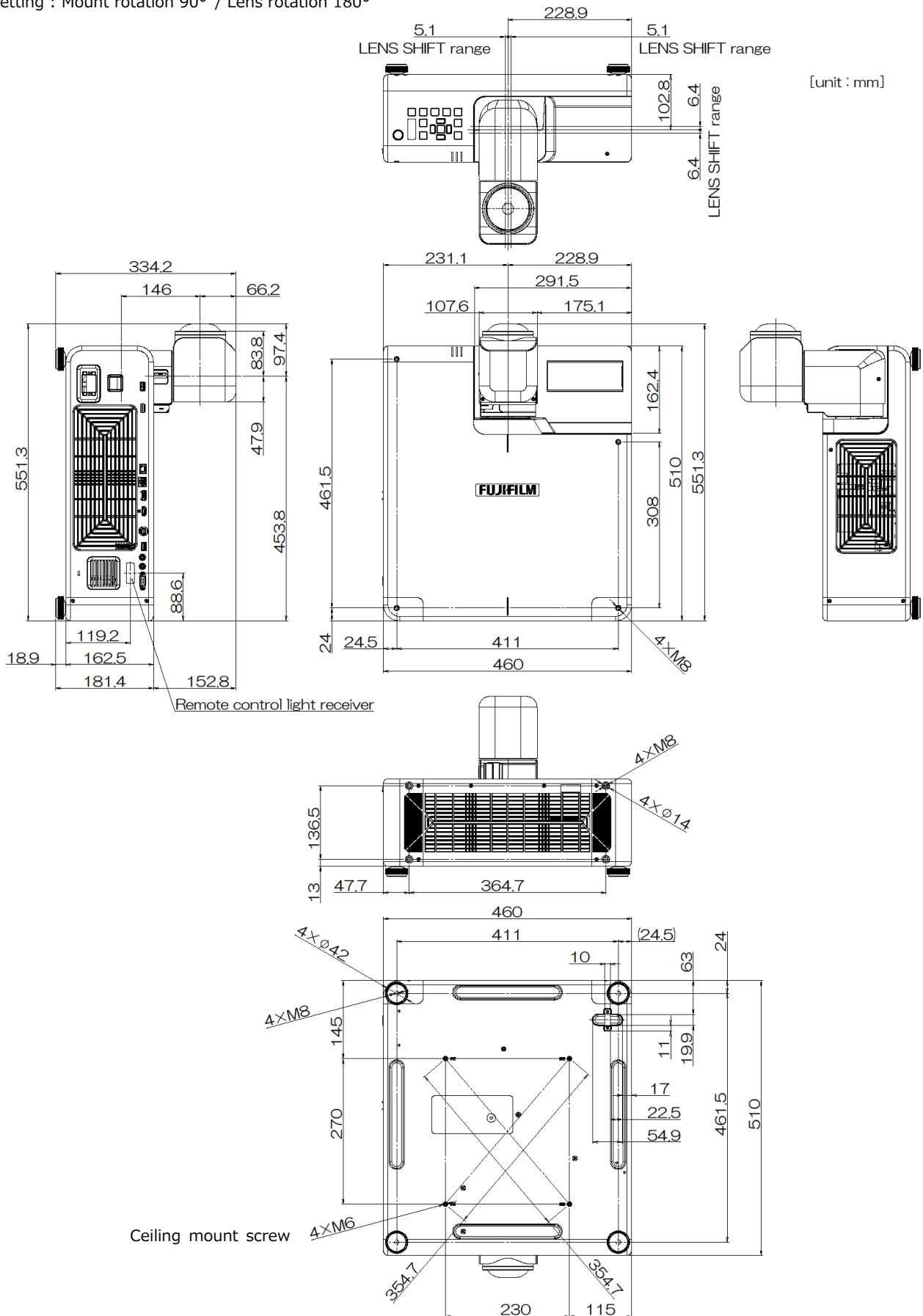
■ Dimensions1

Lens setting : Mount rotation 0° / Lens rotation 0°



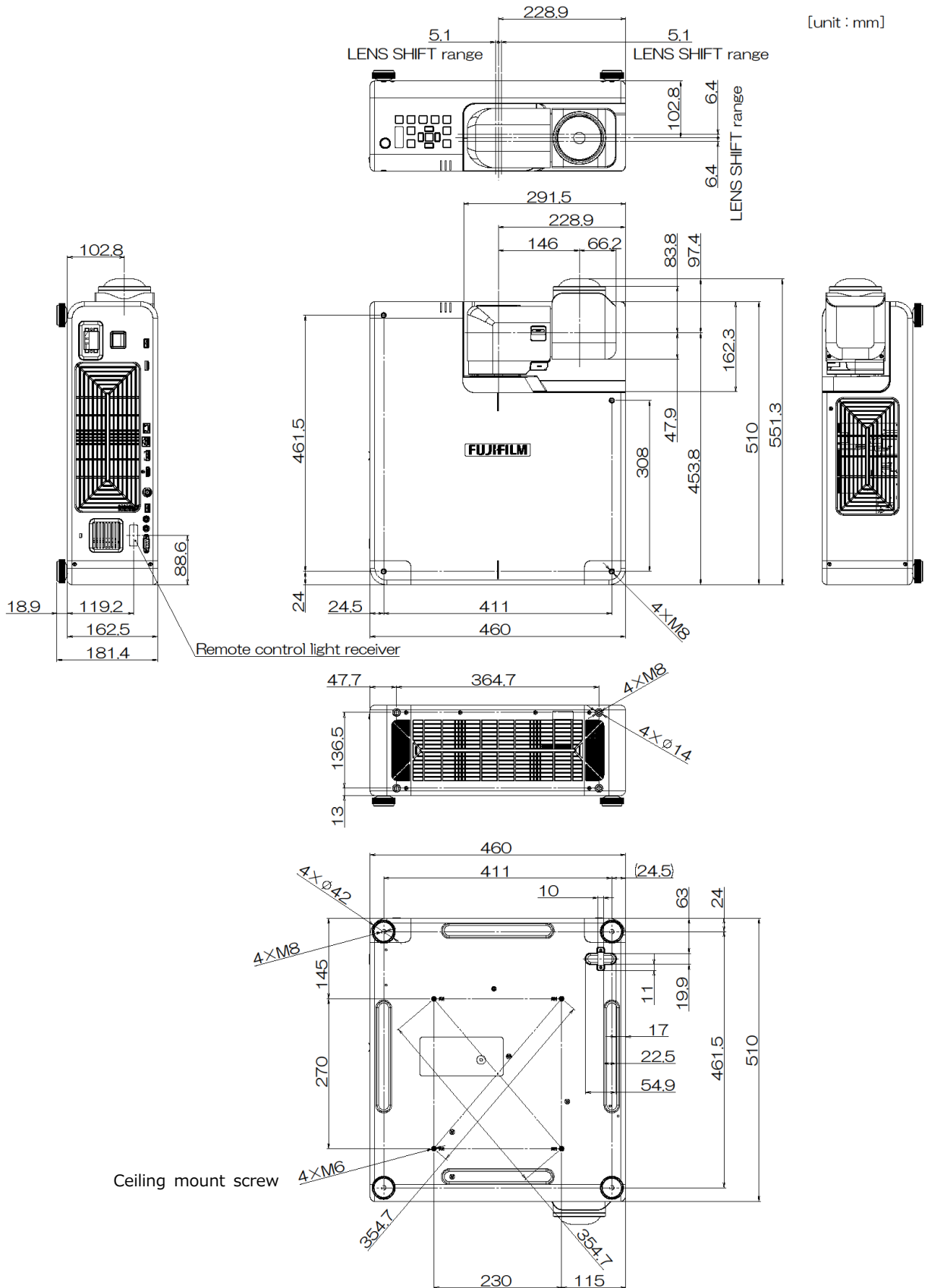
■ Dimensions2

Lens setting : Mount rotation 90° / Lens rotation 180°



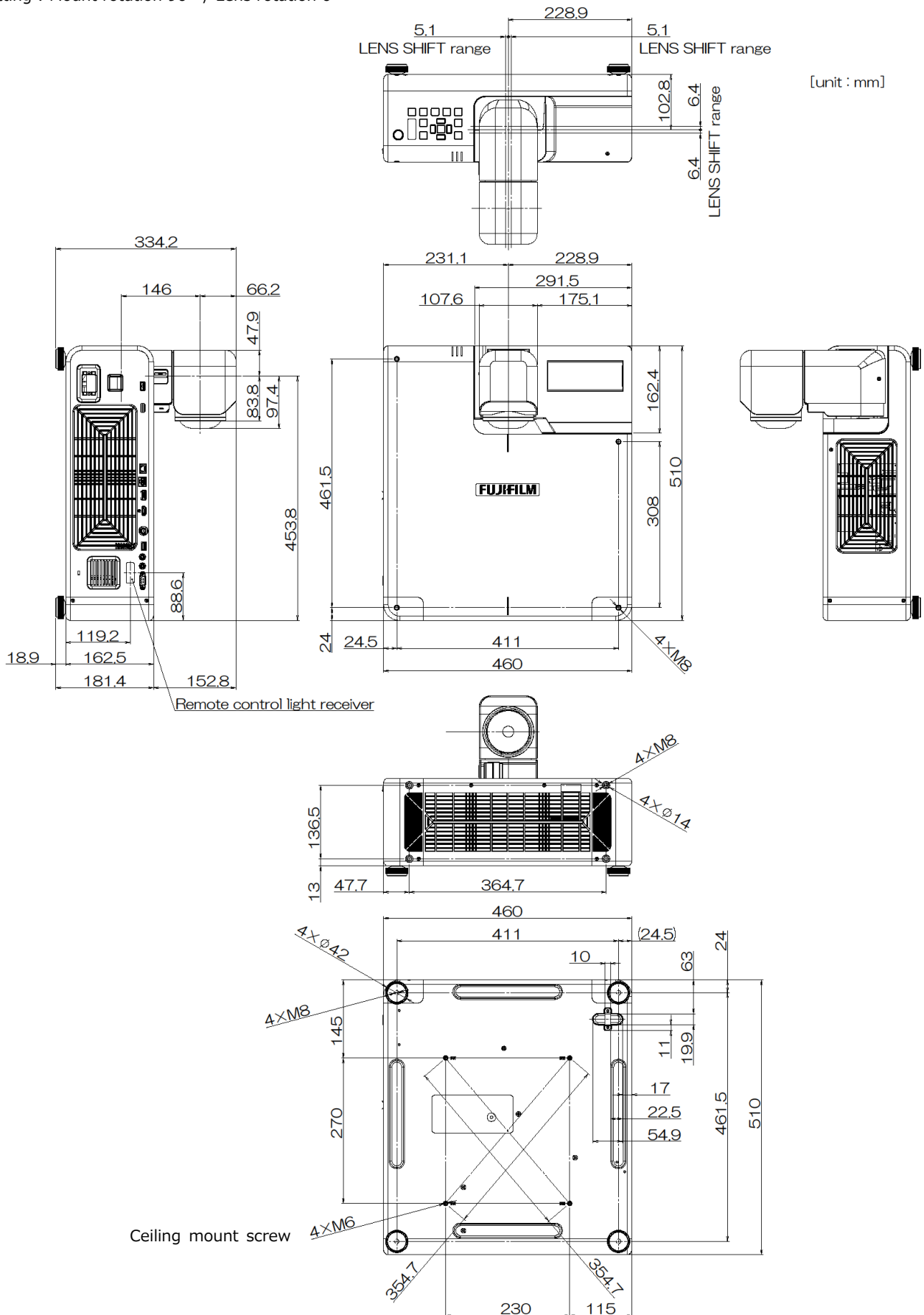
■ Dimensions3

Lens setting : Mount rotation 0° / Lens rotation 180°



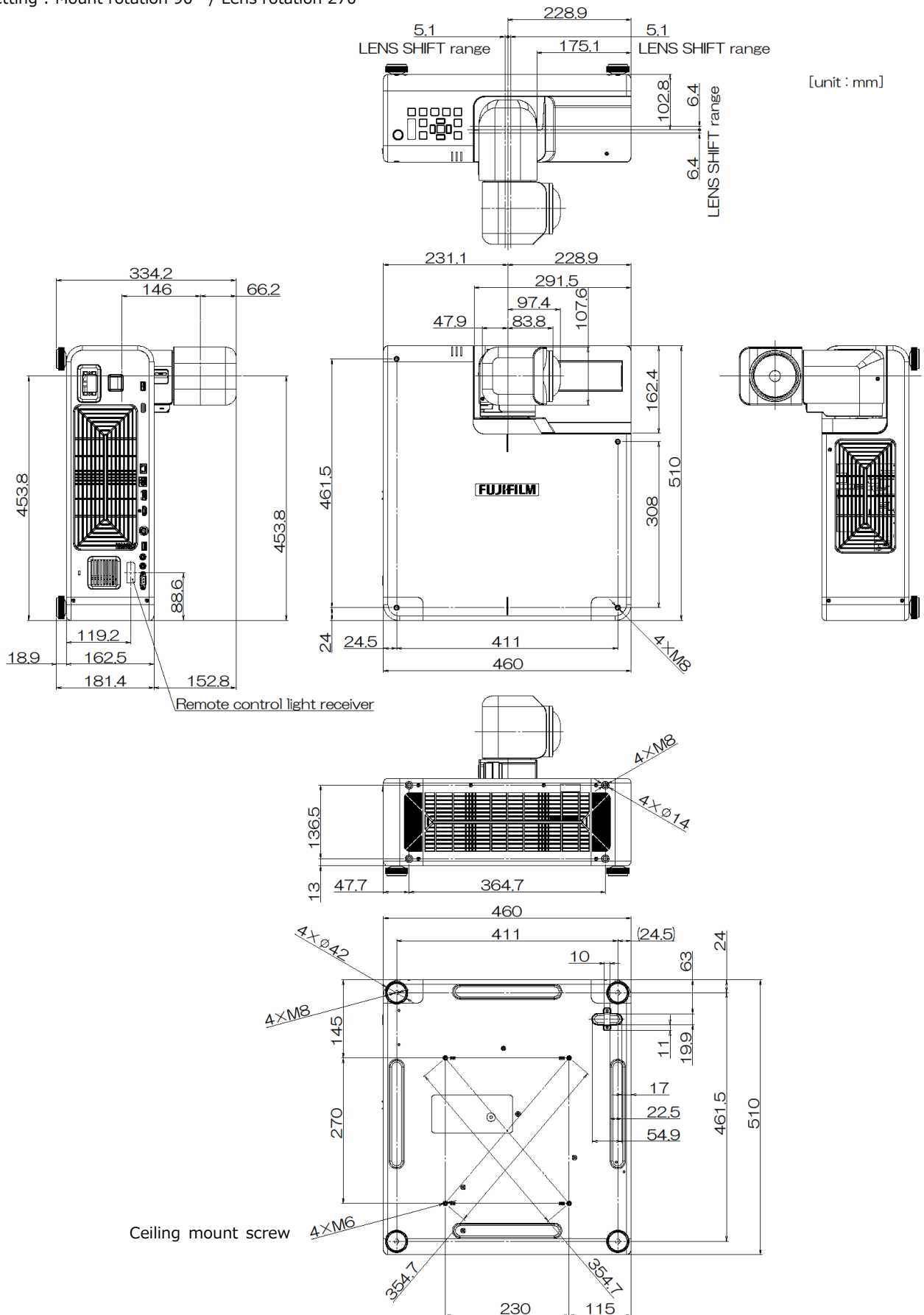
■ Dimensions4

Lens setting : Mount rotation 90° / Lens rotation 0°



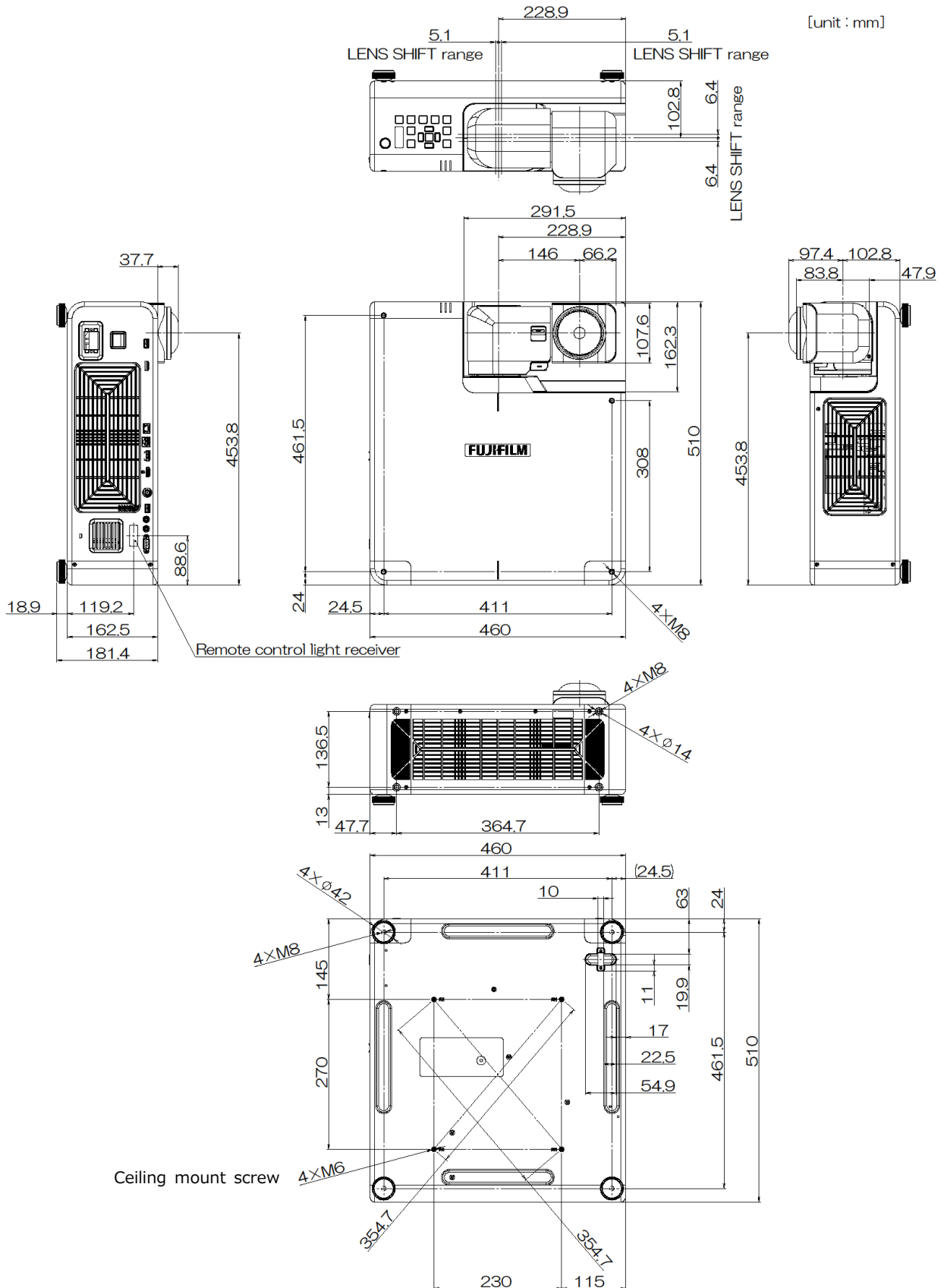
■ Dimensions5

Lens setting : Mount rotation 90° / Lens rotation 270°



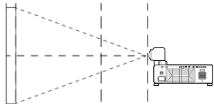
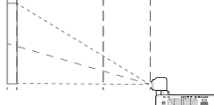
■ Dimensions6

Lens setting : Mount rotation 0° / Lens rotation 90°



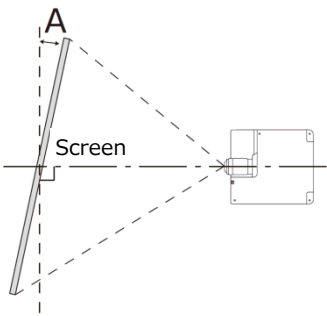
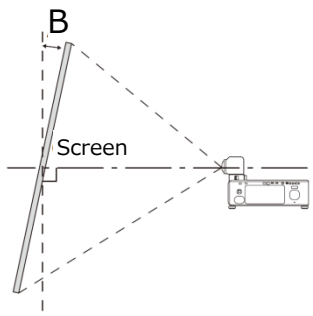
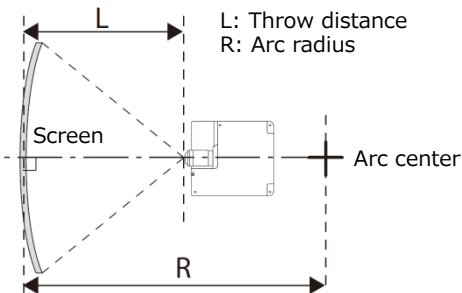
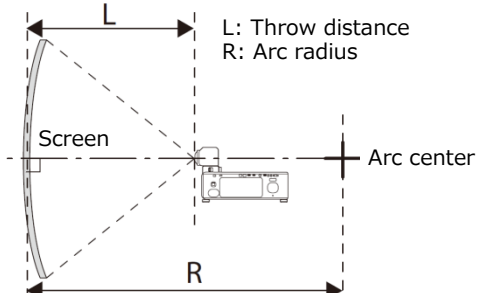
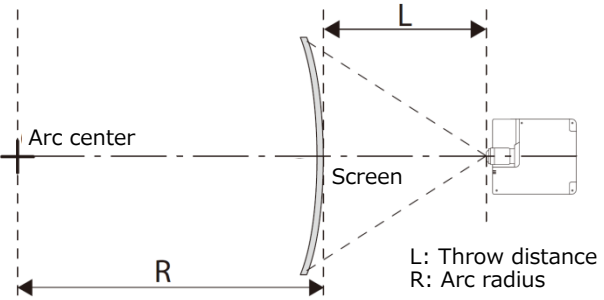
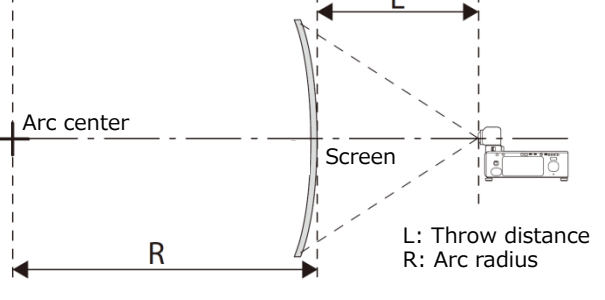
■ Geometric Correction Range

Figures are approximations and may vary from the actual values by a few percent. Adjustments to focus may fail to produce the desired results at higher values.

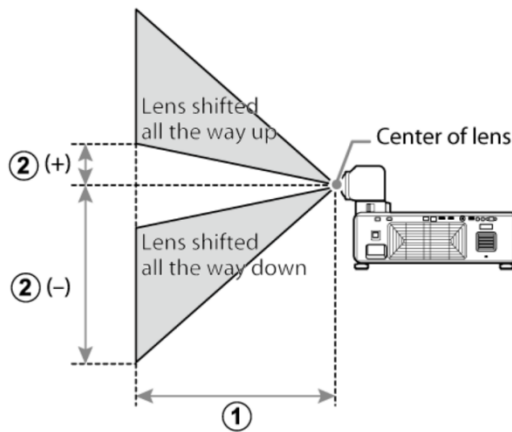
| Lens shift position | Keystone correction* ¹ | | Screen curvature correction* ² | | | |
|---|--|--------------------------------------|---|---|--|--|
| | (1) Horizontal Correction angle "A" | (2) Vertical Correction angle "B" | (3) Concave horizontal Minimum R/L value | (4) Concave vertical Minimum R/L value | (5) Convex horizontal Minimum R/L value | (6) Convex vertical Minimum R/L value |
| V±0% vertical (V), ±0% horizontal (H)  | ±5° | ±5° | 1.10 | 0.83 | 4.83 | 2.09 |
| V+50% vertical (V), ±0% horizontal (H)  | - | - | 2.69 | 1.66 | 4.83 | 3.66 |

*1 Amount applied using Keystone in the projector menus.

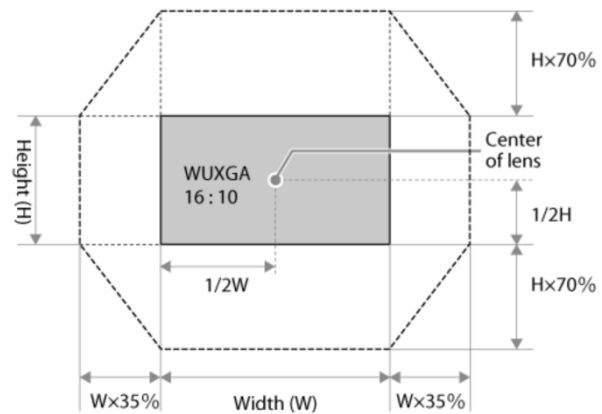
*2 Amount applied using the "Warping and Blending Tool" computer software's warping feature.

| | |
|---|--|
| <p>(1) Horizontal keystone correction (top view)</p>  | <p>(2) Vertical keystone correction (side view)</p>  |
| <p>(3) Concave horizontal curvature correction (top view)</p>  <p>L: Throw distance R: Arc radius</p> | <p>(4) Concave vertical curvature correction (side view)</p>  <p>L: Throw distance R: Arc radius</p> |
| <p>(5) Convex horizontal curvature correction (top view)</p>  <p>L: Throw distance R: Arc radius</p> | <p>(6) Convex vertical curvature correction (side view)</p>  <p>L: Throw distance R: Arc radius</p> |

■ Projection Distance



■ Lens Shift Range



■ Projection Distance Tables

Figures are approximate, differing from the actual values by a few percent.

More details on projection distance are available via a simulator on the Fujifilm website:
<https://optics.fujifilm.com/projector/simulator/en.html>

[Screen aspect ratio 16:10]

| Screen dimensions (16:10) | | ①Projection distance (cm/in.) min.-max. zoom | ②Vertical shift (cm/in.) lowest to highest |
|---------------------------|---------------------------|---|---|
| Size(Diagonal)(in.) | W × H (cm/in.) | | |
| 70 | 151 × 94 / 59.4 × 37.0 | 50- 55 / 19.7-21.7 | -113 to +19 / -44.5 to + 7.5 |
| 80 | 172 × 108 / 67.7 × 42.5 | 58- 64 / 22.8-25.2 | -129 to +22 / -50.8 to + 8.7 |
| 90 | 194 × 121 / 76.4 × 47.6 | 65- 72 / 25.6-28.3 | -145 to +24 / -57.1 to + 9.4 |
| 100 | 215 × 135 / 84.6 × 53.1 | 72- 80 / 28.3-31.5 | -162 to +27 / -63.8 to +10.6 |
| 120 | 258 × 162 / 101.6 × 63.8 | 87- 96 / 34.3-37.8 | -194 to +32 / -76.4 to +12.6 |
| 150 | 323 × 202 / 127.2 × 79.5 | 109-121 / 42.9-47.6 | -242 to +40 / -95.3 to +15.7 |
| 200 | 431 × 269 / 169.7 × 105.9 | 147-161 / 57.9-63.4 | -323 to +54 / -127.2 to +21.3 |
| 250 | 538 × 337 / 211.8 × 132.7 | 184-202 / 72.4-79.5 | -404 to +67 / -159.1 to +26.4 |
| 300 | 646 × 404 / 254.3 × 159.1 | 221-243 / 87.0-95.7 | -485 to +81 / -190.9 to +31.9 |

[Screen aspect ratio 16:9]

| Screen dimensions (16:9) | | ①Projection distance (cm/in.) min.-max. zoom | ②Vertical shift (cm/in.) lowest to highest |
|--------------------------|---------------------------|---|---|
| Size(Diagonal)(in.) | W × H (cm/in.) | | |
| 70 | 155 × 87 / 61.0 × 34.3 | 52- 57 / 20.5-22.4 | -111 to + 24 / -43.7 to +9.4 |
| 80 | 177 × 100 / 69.7 × 39.4 | 59- 65 / 23.2-25.6 | -127 to + 28 / -50.0 to +11.0 |
| 90 | 199 × 112 / 78.3 × 44.1 | 67- 74 / 26.4-29.1 | -143 to + 31 / -56.3 to +12.2 |
| 100 | 221 × 125 / 87.0 × 49.2 | 75- 82 / 29.5-32.3 | -159 to + 35 / -62.6 to +13.8 |
| 120 | 266 × 149 / 104.7 × 58.7 | 90- 99 / 35.4-39.0 | -191 to + 42 / -75.2 to +16.5 |
| 150 | 332 × 187 / 130.7 × 73.6 | 113-124 / 44.5-48.8 | -239 to + 52 / -94.1 to +20.5 |
| 200 | 443 × 249 / 174.4 × 98.0 | 151-166 / 59.4-65.4 | -318 to + 69 / -125.2 to +27.2 |
| 250 | 553 × 311 / 217.7 × 122.4 | 189-208 / 74.4-81.9 | -398 to + 86 / -156.7 to +33.9 |
| 300 | 664 × 374 / 261.4 × 147.2 | 227-250 / 89.4-98.4 | -477 to +104 / -187.8 to +40.9 |

[Screen aspect ratio 4:3]

| Screen dimensions (4:3) | | ①Projection distance (cm/in.) min.-max. zoom | ②Vertical shift (cm/in.) lowest to highest |
|-------------------------|---------------------------|---|---|
| Size(Diagonal)(in.) | W × H (cm/in.) | | |
| 60 | 122 × 91 / 48.0 × 35.8 | 49- 54 / 19.3-21.3 | -110 to +18 / -43.3 to +7.1 |
| 70 | 142 × 107 / 55.9 × 42.1 | 57- 63 / 22.4-24.8 | -128 to +21 / -50.4 to +8.3 |
| 80 | 163 × 122 / 64.2 × 48.0 | 65- 72 / 25.6-28.3 | -146 to +24 / -57.5 to +9.4 |
| 90 | 183 × 137 / 72.0 × 53.9 | 74- 81 / 29.1-31.9 | -165 to +27 / -65.0 to +10.6 |
| 100 | 203 × 152 / 79.9 × 59.8 | 82- 91 / 32.3-35.8 | -183 to +30 / -72.0 to +11.8 |
| 120 | 244 × 183 / 96.1 × 72.0 | 99-109 / 39.0-42.9 | -219 to +37 / -86.2 to +14.6 |
| 150 | 305 × 229 / 120.1 × 90.2 | 124-137 / 48.8-53.9 | -274 to +46 / -107.9 to +18.1 |
| 200 | 406 × 305 / 159.8 × 120.1 | 166-183 / 65.4-72.0 | -366 to +61 / -144.1 to +24.0 |
| 240 | 488 × 366 / 192.1 × 144.1 | 200-220 / 78.7-86.6 | -439 to +73 / -172.8 to +28.7 |

■Supported Resolutions

[HDMI1 / DisplayPort / HDBaseT PC compatible signal]

| Resolution (Dots) | Signal format | Scanning freq. | | Clock freq. (MHz) |
|-------------------|-----------------|-----------------|--------------|-------------------|
| | | Horizontal(kHz) | Vertical(Hz) | |
| 640 x 480 | VGA/60 | 31.5 | 59.9 | 25.2 |
| | VGA/72 | 37.9 | 72.8 | 31.5 |
| | VGA/75 | 37.5 | 75.0 | 31.5 |
| | VGA/85 | 43.3 | 85.0 | 36.0 |
| 720 x 400 | 720 x 400/70 | 31.5 | 70.1 | 28.3 |
| 800 x 600 | SVGA/60 | 37.9 | 60.3 | 40.0 |
| | SVGA/72 | 48.1 | 72.2 | 50.0 |
| | SVGA/75 | 46.9 | 75.0 | 49.5 |
| | SVGA/85 | 53.7 | 85.1 | 56.3 |
| | SVGA/120 | 77.4 | 119.9 | 83.0 |
| 1024 x 768 | XGA/60 | 48.4 | 60.0 | 65.0 |
| | XGA/70 | 56.5 | 70.1 | 75.0 |
| | XGA/75 | 60.0 | 75.0 | 78.8 |
| | XGA/85 | 68.7 | 85.0 | 94.5 |
| | XGA/120 | 97.6 | 120.0 | 115.5 |
| 1152 x 864 | 1152 x 864/75 | 67.5 | 75.0 | 108.0 |
| 1280 x 720 | 1280 x 720/60 | 45.0 | 60.0 | 74.3 |
| | 1280 x 720/120 | 90.0 | 120.0 | 148.5 |
| 1280 x 768 | 1280 x 768/60 | 47.4 | 60.0 | 68.3 |
| | 1280 x 768/60 | 47.8 | 59.9 | 79.5 |
| 1280 x 800 | WXGA/60 | 49.7 | 59.8 | 83.5 |
| | WXGA/75 | 62.8 | 74.9 | 106.5 |
| | WXGA/85 | 71.6 | 84.9 | 122.5 |
| | WXGA/120 | 101.6 | 119.9 | 146.3 |
| 1280 x 1024 | SXGA/60 | 64.0 | 60.0 | 108.0 |
| | SXGA/75 | 80.0 | 75.0 | 135.0 |
| | SXGA/85 | 91.1 | 85.0 | 157.5 |
| 1280 x 960 | 1280 x 960/60 | 60.0 | 60.0 | 108.0 |
| | 1280 x 960/85 | 85.9 | 85.0 | 148.5 |
| 1366 x 768 | 1366 x 768/60 | 47.7 | 59.8 | 85.5 |
| 1440 x 900 | WXGA+/60 | 55.5 | 60.0 | 88.8 |
| | WXGA+/60 | 55.9 | 59.9 | 106.5 |
| 1400 x 1050 | SXGA+/60 | 65.3 | 60.0 | 121.8 |
| 1600 x 1200 | UXGA | 75.0 | 60.0 | 162.0 |
| 1680 x 1050 | 1680 x 1050/60 | 64.7 | 59.9 | 119.0 |
| | 1680 x 1050/60 | 65.3 | 60.0 | 146.3 |
| 640 x 480@67Hz | MAC13 | 35.0 | 66.7 | 30.2 |
| 832 x 624@75Hz | MAC16 | 49.7 | 74.5 | 57.3 |
| 1024 x 768@75Hz | MAC19 | 60.2 | 75.0 | 80.0 |
| 1152 x 870@75Hz | MAC21 | 68.7 | 75.1 | 100.0 |
| 1920 x 1080@60HZ | 1920 x 1080/60 | 67.5 | 60.0 | 148.5 |
| 1920 x 1200@60HZ | 1920 x 1200/60 | 74.0 | 60.0 | 154.0 |
| 1920 x 1080(VESA) | 1920 x 1080/60 | 67.2 | 60.0 | 173.0 |
| 1920 x 1080@120Hz | 1920 x 1080/120 | 137.3 | 120.0 | 285.5 |
| 3840 x 2160 | 3840 x 2160/30 | 67.5 | 30.0 | 297.0 |
| | 3840 x 2160/60* | 135.0 | 60.0 | 594.0 |

* HDBaseT does not support the signal format.

[HDMI1 / DisplayPort / HDBaseT Video compatible signal]

| Resolution (Dots) | Signal format | Scanning freq. | | Clock freq. (MHz) |
|-------------------|---------------|-----------------|--------------|-------------------|
| | | Horizontal(kHz) | Vertical(Hz) | |
| 720 x 480 | 480P | 31.5 | 59.9 | 27.0 |
| 720 x 576 | 576P | 31.3 | 50.0 | 27.0 |
| 1280 x 720 | 720/50P | 37.5 | 50.0 | 74.3 |
| | 720/60P | 45.0 | 60.0 | 74.3 |
| 1920 x 1080 | 1080/24P | 27.0 | 24.0 | 74.3 |
| | 1080/25P | 28.1 | 25.0 | 74.3 |
| | 1080/30P | 33.8 | 30.0 | 74.3 |
| | 1080/50i | 28.1 | 50.0 | 74.3 |
| | 1080/60i | 33.8 | 60.0 | 74.3 |
| | 1080/50P | 56.3 | 50.0 | 148.5 |
| 3840 x 2160 | 1080/60P | 67.5 | 60 | 148.5 |
| | 2160/24P | 54.0 | 24 | 297.0 |
| | 2160/25P | 56.3 | 25 | 297.0 |
| | 2160/30P | 67.5 | 30 | 297.0 |
| | 2160/50P* | 112.5 | 50 | 594.0 |
| | 2160/60P* | 135.0 | 60 | 594.0 |

* HDBaseT does not support the signal format.

[SDI compatible signal]

| Signal format | SDI mode | Signal standards | Color format | Sampling | Bit Depth |
|---------------|----------|--------------------------|--------------|----------|-----------|
| NTSC | SD-SDI | SMPTE 259M-C 270Mbps SD | YCbCr | 4:2:2 | 10 |
| PAL | SD-SDI | SMPTE 259M-C 270Mbps SD | YCbCr | 4:2:2 | 10 |
| 1080/59i | HD-SDI | SMPTE 292M 1.5Gbps HD | YCbCr | 4:2:2 | 10 |
| 1080/60i | HD-SDI | SMPTE 292M 1.5Gbps HD | YCbCr | 4:2:2 | 10 |
| 1080/30P | HD-SDI | SMPTE 292M 1.5Gbps HD | YCbCr | 4:2:2 | 10 |
| 1080/25P | HD-SDI | SMPTE 292M 1.5Gbps HD | YCbCr | 4:2:2 | 10 |
| 1080/50i | HD-SDI | SMPTE 292M 1.5Gbps HD | YCbCr | 4:2:2 | 10 |
| 1080/24P | HD-SDI | SMPTE 292M 1.5Gbps HD | YCbCr | 4:2:2 | 10 |
| 720/60P | HD-SDI | SMPTE 292M 1.5Gbps HD | YCbCr | 4:2:2 | 10 |
| 720/50P | HD-SDI | SMPTE 292M 1.5Gbps HD | YCbCr | 4:2:2 | 10 |
| 1080/25sF | HD-SDI | SMPTE 292M 1.5Gbps HD | YCbCr | 4:2:2 | 10 |
| 1080/30sF | HD-SDI | SMPTE 292M 1.5Gbps HD | YCbCr | 4:2:2 | 10 |
| 1080/50P | 3G-SDI | SMPTE 424M 3Gbps Level-A | YCbCr | 4:2:2 | 10 |
| 1080/59P | 3G-SDI | SMPTE 424M 3Gbps Level-A | YCbCr | 4:2:2 | 10 |
| 1080/60P | 3G-SDI | SMPTE 424M 3Gbps Level-A | YCbCr | 4:2:2 | 10 |

[HDMI12 Warping / Edge blending function compatible signal]

| Resolution (Dots) | Signal format | Scanning freq. | | Clock freq. (MHz) |
|-------------------|---------------|-----------------|--------------|-------------------|
| | | Horizontal(kHz) | Vertical(Hz) | |
| 1024 x 768 | XGA/60 | 48.4 | 60.0 | 65.0 |
| 1280 x 800 | WXGA/60 | 49.7 | 59.8 | 83.5 |
| 1920 x 1080 | 1080p/24 | 27.0 | 24.0 | 74.3 |
| 1920 x 1080 | 1080p/30 | 33.8 | 30.0 | 74.3 |
| 1920 x 1080 | 1080p/50 | 56.3 | 50.0 | 148.5 |
| 1920 x 1080 | 1080p/60 | 67.5 | 60.0 | 148.5 |
| 1920 x 1200 | WUXGA/60 | 74.0 | 60.0 | 154.0 |